

INSTALLATION INSTRUCTIONS

820-LED Pendant

PD-82003R / PD-82005R / PD-82009R / PD-82015R / PD-82021R

MODERN FORMS

CAUTION: To prevent electrical shock, ensure electricity has been turned off at the circuit breaker before beginning.

- Read all instructions before installing.
- System is intended for installation by a licensed electrician in accordance with the National Electrical Code (NEC) and local regulations.
- When handling the fixture, do not apply pressure to the LEDs. Hold the fixture by the base only.
- Retain installation instructions for future maintenance reference.

WARNING: All parts must be used as indicated in these instructions. This product is designed for use only with the supplied parts and/or accessories designated for use by Modern Forms. Substitution of parts or accessories not designated for use with this product by Modern Forms could result in personal injury or property damage, and will void the warranty. Contact an authorized dealer or the manufacturer if any parts are damaged or missing.

MAINTENANCE NOTE: Coastal conditions may cause mineral and residue build-up on the fixture. We recommend that customers in coastal areas clean all external surfaces of the fixture once every two weeks with a wet cloth.

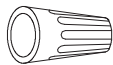
MISE EN GARDE: Pour éviter tout choc électrique, assurez-vous que le disjoncteur soit mis hors tension avant de commencer.

- Lisez toutes les instructions avant l'installation.
- Le système doit être installé par un électricien licencié conformément au code national de l'électricité (NEC), et également aux règlements locaux.
- Lors de la manipulation du luminaire, n'appuyez pas sur les LED. Tenez-le uniquement par la base.

ATTENTION: Toutes les pièces doivent être utilisées comme indiqué dans ces instructions. Ce produit est conçu pour être utilisé seulement avec les pièces et/ou accessoires fournis pour être utilisés avec les produits Modern Forms. Remplacer des pièces ou accessoires non conçus pour ce produit Modern Forms pourrait causer des dommages corporels ou matériels et pourrait également causer l'annulation de la garantie. Veuillez contacter un revendeur autorisé ou le fabricant si des pièces manquent ou sont endommagées.

NOTE D'ENTRETIEN: Les conditions côtières peut causer une accumulation de minéraux et de résidus sur le luminaire. Nous recommandons aux clients qui résident dans les zones côtières de nettoyer toutes les surfaces externes du luminaire une fois toutes les deux semaines avec un chiffon humide.

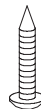
HARDWARE



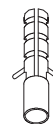
Wire Connector
Qty: 3pcs+1 Extra



Canopy Screw
Qty: 1 Extra



Anchor Screw
Qty: 7pcs



Plastic Anchor
Qty: 7pcs

modernforms.com
Phone (800) 526.2588
Fax (800) 526.2585

Headquarters/Eastern Distribution Center
44 Harbor Park Drive
Port Washington, NY 11050

Central Distribution Center
1600 Distribution Ct
Lithia Springs, GA 30122

Western Distribution Center
1750 Archibald Avenue
Ontario, CA 91760



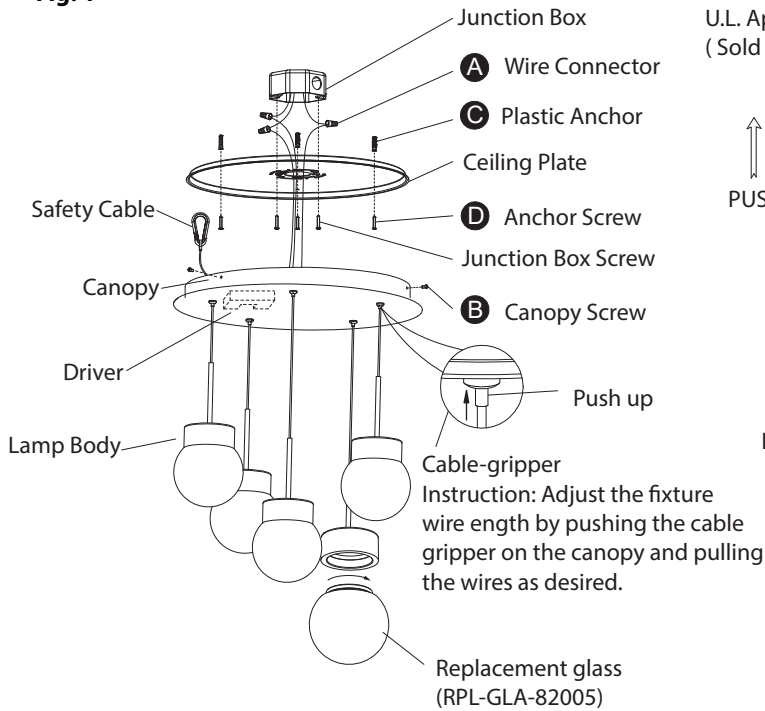
INSTALLATION INSTRUCTIONS

820-LED Pendant

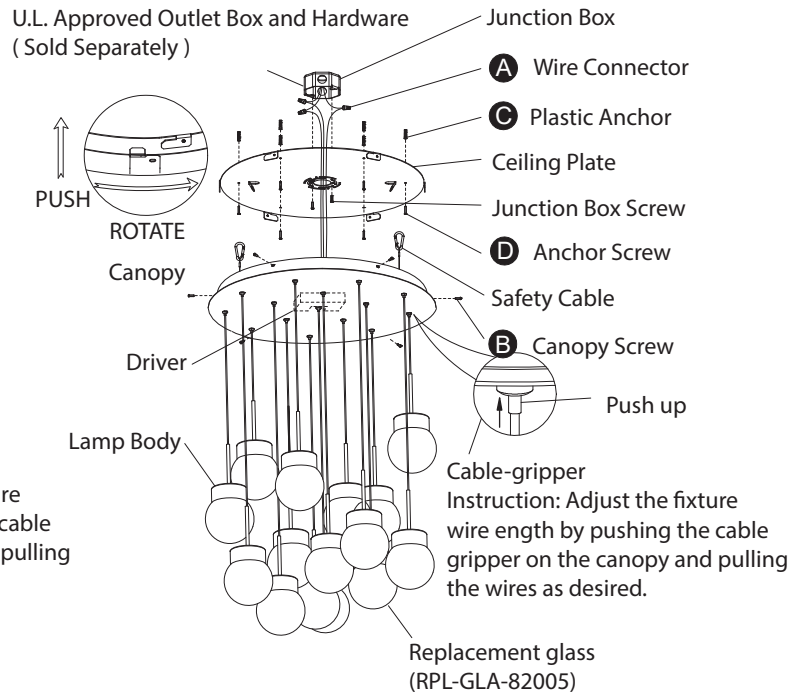
PD-82003R / PD-82005R / PD-82009R / PD-82015R / PD-82021R

MODERN FORMS

Fig. 1

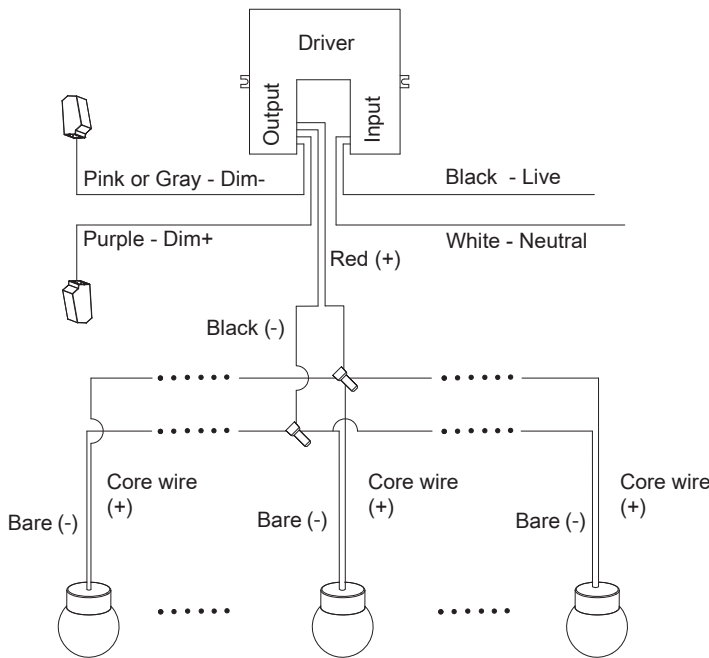


PD-82003R / PD-82005R



**Junction Box: For PD-82009R, 75LB. Max.
For PD-82015R, 125LB. Max.
For PD-82021R, 150LB. Max**

Fig. 4 Wire Diagram



- PD-82003R : 350mA → 3 lamp body
- PD-82005R : 500mA → 5 lamp body
- PD-82009R : 850mA → 9 lamp body
- PD-82015R : 1000mA → 15 lamp body
- PD-82021R : 850mA → 8 lamp body
- + 850mA → 9 lamp body

3 or 5 or 8 or 9 or 15 lamp body

modernforms.com
Phone (800) 526.2588
Fax (800) 526.2585

Headquarters/Eastern Distribution Center
44 Harbor Park Drive
Port Washington, NY 11050

Central Distribution Center
1600 Distribution Ct
Lithia Springs, GA 30122

Western Distribution Center
1750 Archibald Avenue
Ontario, CA 91760



INSTALLATION INSTRUCTIONS

820-LED Pendant

PD-82003R / PD-82005R / PD-82009R / PD-82015R / PD-82021R

MODERN FORMS

PREPARATION

1. Shut off the power at the circuit breaker and remove existing fixture, including the crossbar.
2. Carefully unpack your new fixture and lay out all the parts in a clear area. Be careful not to lose any small parts necessary for installation.

MOUNTING THE FIXTURE (Fig. 1)

3. Remove the canopy screw (B) from the ceiling plate.
4. Adjust the fixture wire length by pushing the cable gripper on the canopy and pulling the wire as desired.
 - a) Before securing the canopy in place, it is recommended to retract or extend the wire within the canopy to a desirable length.
 - b) Due to limited room within the canopy, shorten excess wires as necessary to make the installation easier. Make sure to identify and label all the wiring properly before any trimming/shortening. (Fig. 3 , Fig. 4)
5. Drill holes in the ceiling aligned with the key holes located in the ceiling plate. Insert the plastic anchors (D).
6. Recommended to use UL approved outlet box and hardware as indicated in Fig. 1 (sold separately). If standard duty JB is used, ensure fixture is adequately supported independent of the JB to secure the fixture to carry the weight.
7. Secure the ceiling plate to the junction box using the original junction box screws. Fasten the plate to the ceiling with the plastic anchors using the anchor screws (C) provided.

Note: (i) It is recommended to use only original junction box screws or replacements provided by junction box manufacturer.

(ii) The side of the ceiling plate marked "GND" must face out towards the installer.

CONNECTING THE WIRES (Fig. 2)

8. Attach the safety cable to the bracket on the ceiling plate to temporarily hang the fixture in place and aid in wiring.
9. Connect the Driver input wires to junction box as shown in Fig. 2. Making sure that all wire connectors (A) are secured. If your outlet box has a green or bare copper ground wire, connect the fixture's ground wire to it. Otherwise, connect the fixture's ground wire directly to the back plate using the GND screw provided. After wires are connected, tuck them carefully inside the junction box.

COMPLETING THE INSTALLATION

10. Secure the fixture to the ceiling plate using the canopy screw (B).
11. Rotate the glass into the lamp body.

DIMMING WIRING INFORMATION (Fig. 3)

12. This fixture features electronic low voltage (ELV or TRIAC or 0-10V dimming capabilities. See notes below for specific dimming wires information.
13. To utilize ELV or TRIAC dimming: connect house wires as normal, using black (live), white (neutral) and house green wire or bare copper wire (ground). Do not use dimmer wires on driver for ELV or TRIAC dimming.
14. To utilize 0-10V dimming: use dimmer wires purple (dim+) and pink or gray (dim-) from driver and connect to corresponding wires in junction box. Connect house wires as normal.

Fig. 2 Wiring

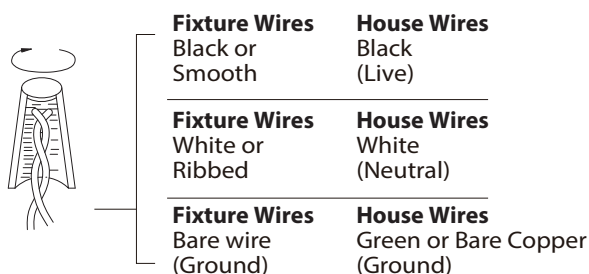
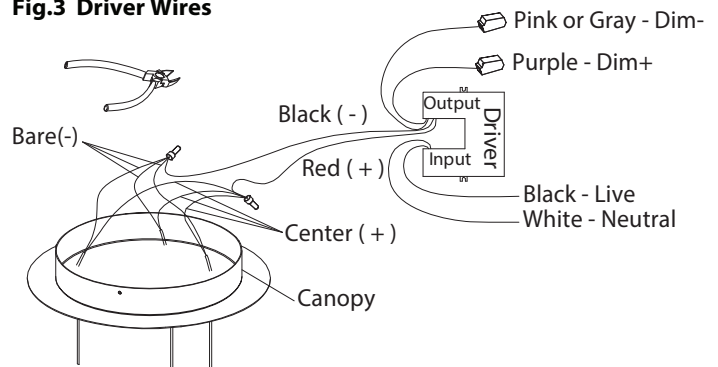


Fig.3 Driver Wires



modernforms.com
Phone (800) 526.2588
Fax (800) 526.2585

Headquarters/Eastern Distribution Center
44 Harbor Park Drive
Port Washington, NY 11050

Central Distribution Center
1600 Distribution Ct
Lithia Springs, GA 30122

Western Distribution Center
1750 Archibald Avenue
Ontario, CA 91760



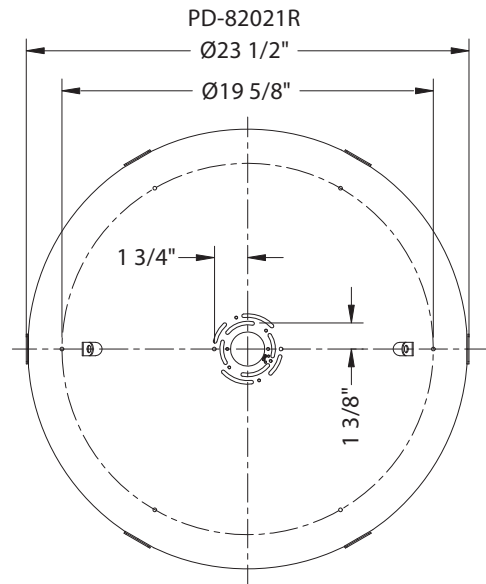
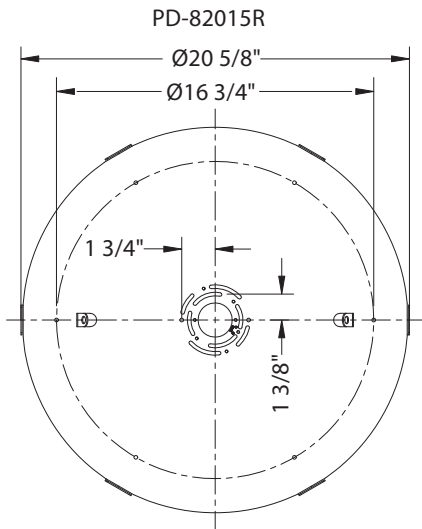
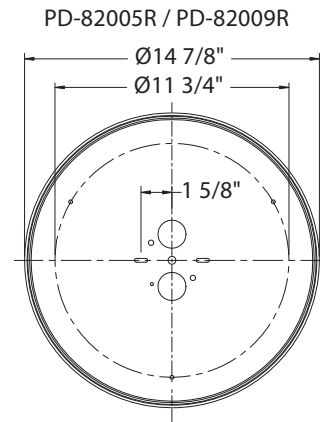
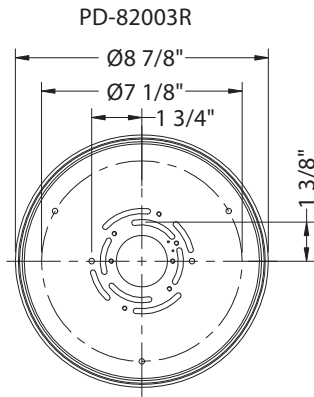
INSTALLATION INSTRUCTIONS

820-LED Pendant

PD-82003R / PD-82005R / PD-82009R / PD-82015R / PD-82021R

MODERN FORMS

Ceiling plate Dimensions



modernforms.com
Phone (800) 526.2588
Fax (800) 526.2585

Headquarters/Eastern Distribution Center
44 Harbor Park Drive
Port Washington, NY 11050

Central Distribution Center
1600 Distribution Ct
Lithia Springs, GA 30122

Western Distribution Center
1750 Archibald Avenue
Ontario, CA 91760

