

# INSTALLATION INSTRUCTIONS

## 899-LED Pendants

PD-89924/ PD-89936/ PD-89948

# MODERN FORMS

**CAUTION: TO PREVENT ELECTRICAL SHOCK, ENSURE ELECTRICITY HAS BEEN TURNED OFF AT THE CIRCUIT BREAKER BEFORE BEGINNING.**

- Read all instructions before installing.
- System is intended for installation by a licensed electrician in accordance with the National Electrical Code (NEC) and local regulations.
- When handling the fixture, do not apply pressure to the LEDs. Hold the fixture by the base only.
- Retain installation instructions for future maintenance reference.

**WARNING:** All parts must be used as indicated in these instructions. This product is designed for use only with the supplied parts and/or accessories designated for use by Modern Forms. Substitution of parts or accessories not designated for use with this product by Modern Forms could result in personal injury or property damage, and will void the warranty. Contact an authorized dealer or the manufacturer if any parts are damaged or missing.

**MAINTENANCE NOTE:** Coastal conditions may cause mineral and residue build-up on the fixture. We recommend that customers in coastal areas clean all external surfaces of the fixture once every two weeks with a wet cloth.

**MISE EN GARDE: Pour éviter tout choc électrique, assurez-vous que le disjoncteur soit mis hors tension avant de commencer.**

- Lisez toutes les instructions avant l'installation.
- Le système doit être installé par un électricien licencié conformément au code national de l'électricité (NEC), et également aux règlements locaux.
- Lors de la manipulation du luminaire, n'appuyez pas sur les LED. Tenez-le uniquement par la base.

**ATTENTION:** Toutes les pièces doivent être utilisées comme indiqué dans ces instructions. Ce produit est conçu pour être utilisé seulement avec les pièces et/ou accessoires fournis pour être utilisés avec les produits Modern Forms. Remplacer des pièces ou accessoires non conçus pour ce produit Modern Forms pourrait causer des dommages corporels ou matériels et pourrait également causer l'annulation de la garantie. Veuillez contacter un revendeur autorisé ou le fabricant si des pièces manquent ou sont endommagées.

**NOTE D'ENTRETIEN:** Les conditions côtières peut causer une accumulation de minéraux et de résidus sur le luminaire. Nous recommandons aux clients qui résident dans les zones côtières de nettoyer toutes les surfaces externes du luminaire une fois toutes les deux semaines avec un chiffon humide.

## HARDWARE

A



Wire Connector  
Qty: 5pcs+1 Extra

B



Mounting Screw  
Qty: 1 Extra

C



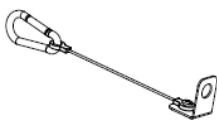
Button Post  
Qty: 90pcs+10 Extra

D



Button  
Qty: 90pcs+10 Extra

E



Safety cord Assembly  
Qty: 1pc (for 36" 48" only)

# INSTALLATION INSTRUCTIONS

## 899-LED Pendants

PD-89924/ PD-89936/ PD-89948

# MODERN FORMS

### PREPARATION

1. Shut off the power at the circuit breaker and remove existing fixture, including the crossbar.
2. Carefully unpack your new fixture and lay out all the parts on a clear area. Be careful not to lose any small parts necessary for installation.

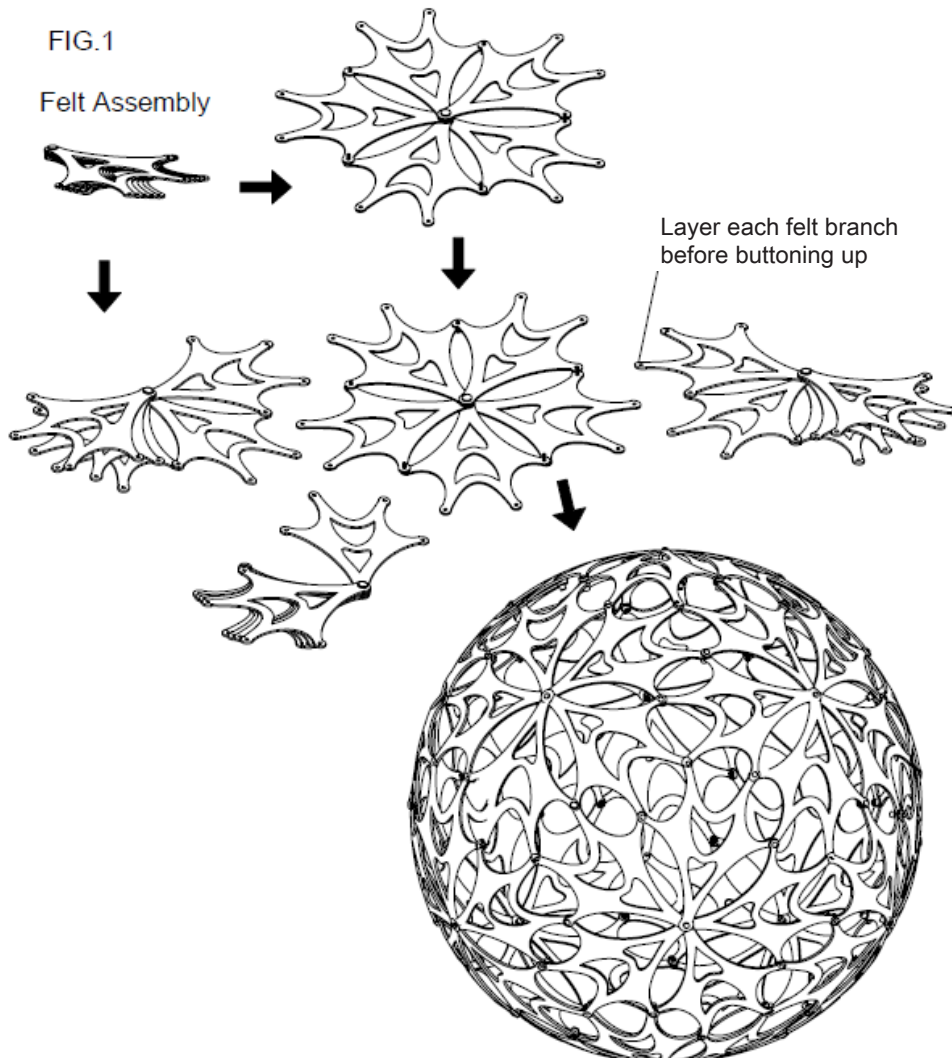
### ASSEMBLING THE FELT SHADE (Fig.1)

3. Unfold felt assembly with buttons facing up (11 sets assembled by button, 1 set tied up with wire tie).
4. Align the spread felt pieces as shown (Fig. 1), then connect them using the buttons and button posts. Layer the branches before attaching them. Connect all 11 felt assembly sets. The buttons should be facing up.

**NOTE:** The felt pieces are flexible and will take shape as they are assembled together. Do not bend the felt pieces.

5. Cut off the wire tie on the last set of felt assembly and connect each piece upon the felt shade. Keep the top five branches open for light source installation.

**NOTE:** If the assembled felt ball becomes misshapen due to gravity factors such as long suspension or moisture, it can be disassembled and ironed piece by piece with an iron. After flattening the felt pieces, assemble them again.

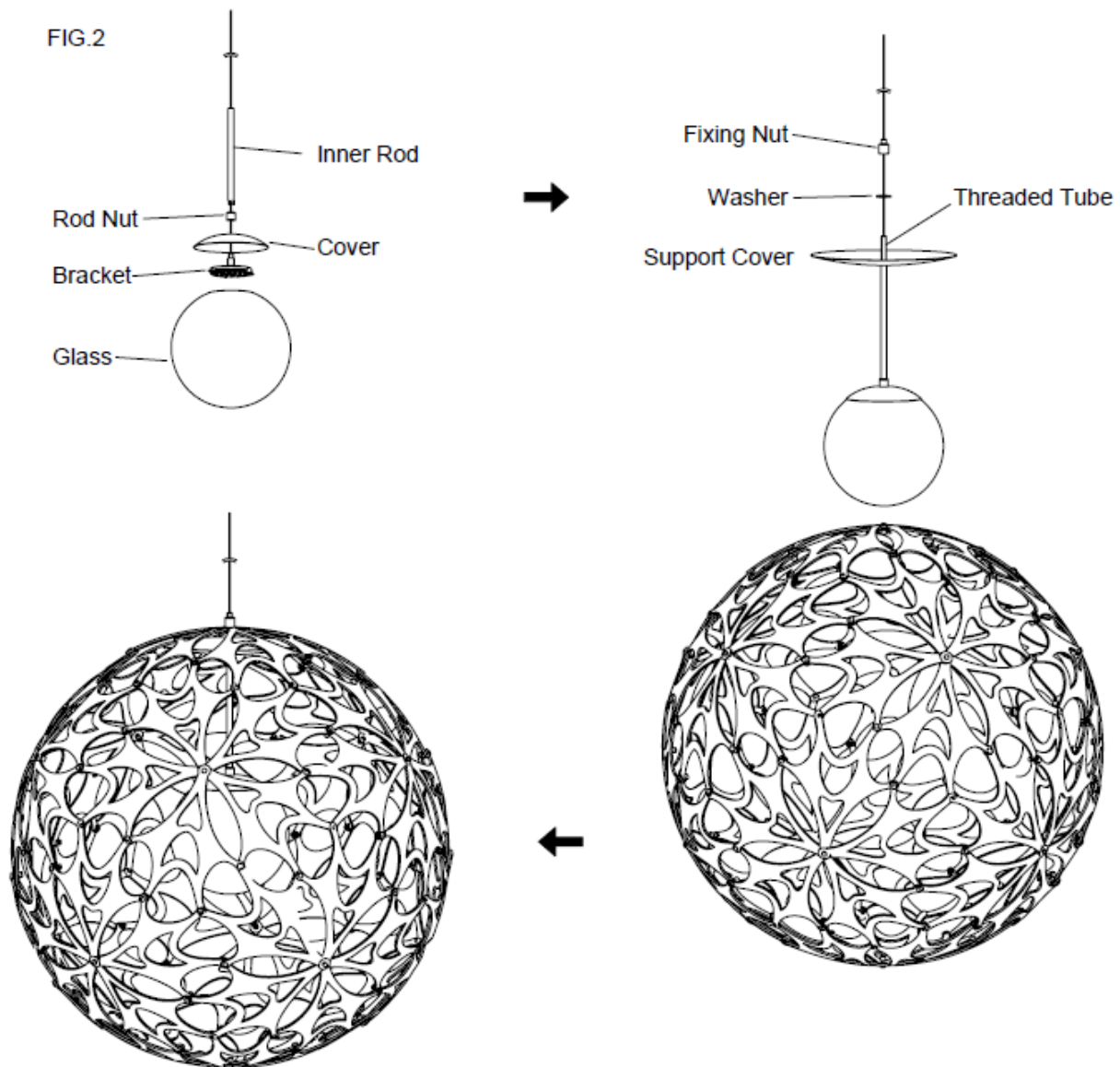


INSTALLATION INSTRUCTIONS  
**899-LED Pendants**  
PD-89924/ PD-89936/ PD-89948

# MODERN FORMS

**ASSEMBLING THE LIGHT SOURCE (Fig.2)**

6. Thread the cable through the inner rod (packed with felt assembly). Carefully insert the bracket into the glass, place the cover on the glass, secure it with the rod nut.
7. Thread the tube onto the inner rod, put the support cover through the tube and inner rod open side facing up. Insert rod assembly into the felt shade from the top. Insert the wire and tube through the open section of the fabric shade and secure them with the washer and fixing nut.



**ASSEMBLING THE DOWNROD AND CANOPY (Fig.3)**

8. Choose the number of downrods suitable to your application. Thread the fixture wire through the rods, swivel and canopy. Connect the canopy, rods and fixing nut, making sure all are tightened.

INSTALLATION INSTRUCTIONS  
**899-LED Pendants**  
 PD-89924/ PD-89936/ PD-89948

MODERN FORMS

FIG.3

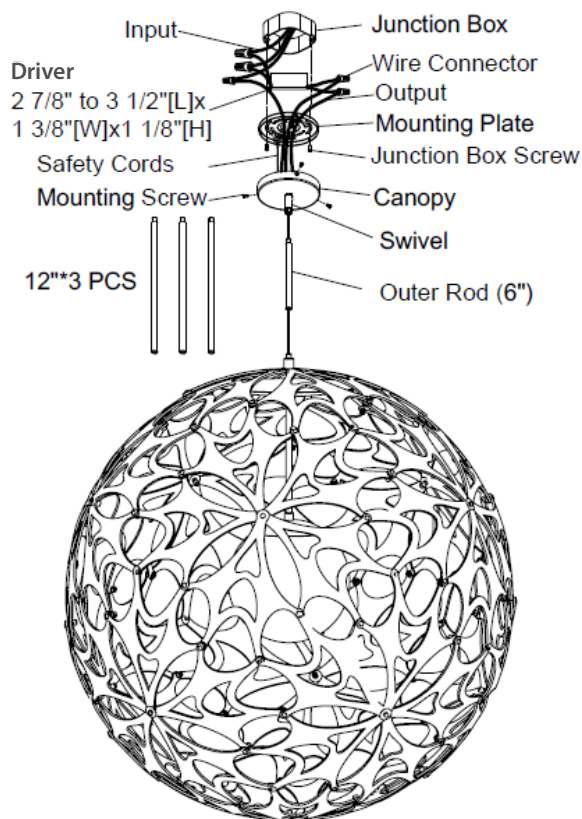
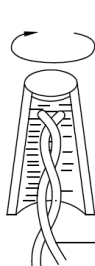
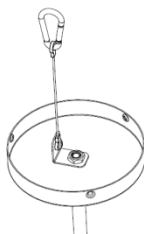


Fig.4 Wiring

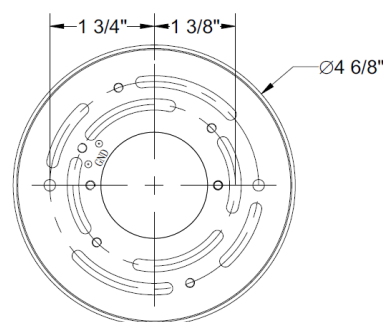


Fixture Wires	House Wires
Black or Smooth	Black (Hot)
Fixture Wires	House Wires
White or Ribbed	White (Neutral)
Fixture Wires	House Wires
Bare Wire (Ground)	Green or Bare Copper (Ground)

Fig.5



Mounting Plate Dimensions



**CONNECTING THE WIRES** (Fig. 4)

9. Connect the driver's input wires to junction box wires as shown (Fig. 4). Make sure that all wire connectors (A) are secure. If your outlet box has a green or bare copper ground wire, connect the fixture's ground wire to it. Otherwise, connect the fixture's ground wire directly to the back plate using the green screw provided.

**NOTE:** This fixture features electronic low voltage (ELV or TRAIC) or 0-10V dimming capabilities. See notes below for specific dimming wiring information.

**COMPLETING THE INSTALLATION**

- Remove the mounting plate screw (B) and mounting plate from the fixture.
  - Secure mounting plate to the junction box using the screws provided with the junction box.
- NOTE:** The side of the mounting plate marked "GND" must face out.
- Secure the safety cord (E) to the inside of the canopy with the swivel fixed nut, hook the safety cord to the mounting plate (Fig. 5) (for PD-89936/ PD-89948 only).
  - Secure the fixture to the mounting plate using the mounting plate screw (B).
  - For sloped ceiling applications, rotate swivel at the top of the stem to ensure luminaire is aiming down.

**DIMMING WIRING INSTRUCTIONS** (Fig. 6)

- To utilize ELV or TRAIC dimming: use black (hot), white (neutral) and bare copper ground wires (ground).
  - To utilize 0-10V dimming: use purple (dim+), gray (dim-), black (hot), white (neutral) and bare copper ground wires (ground).
- NOTE:** Make sure to connect 0-10V prior to powering up the fixture in order to allow the 0-10V dimming to function properly.

Fig. 6

