

**519-LED Vanities**

WS-51920/WS-51927/WS-51937/WS-51920F/WS-51927F/WS-51937F

**CAUTION:** To prevent electrical shock, ensure electricity has been turned off at the circuit breaker before beginning.

- Read all instructions before installing.
- System is intended for installation by a licensed electrician in accordance with the National Electrical Code (NEC) and local regulations.
- When handling the fixture, do not apply pressure to the LEDs. Hold the fixture by the base only.
- Retain installation instructions for future maintenance reference.

**WARNING:** All parts must be used as indicated in these instructions. This product is designed for use only with the supplied parts and/or accessories designated for use by dweLED. Substitution of parts or accessories not designated for use with this product by dweLED could result in personal injury or property damage, and will void the warranty. Contact an authorized dealer or the manufacturer if any parts are damaged or missing.

**MAINTENANCE NOTE:** Coastal conditions may cause mineral and residue build-up on the fixture. We recommend that customers in coastal areas clean all external surfaces of the fixture once every two weeks with a wet cloth.

**MISE EN GARDE:** Pour éviter tout choc électrique, assurez-vous que le disjoncteur soit mis hors tension avant de commencer.

- Lisez toutes les instructions avant l'installation.
- Le système doit être installé par un électricien licencié conformément au code national de l'électricité (NEC), et également aux règlements locaux.
- Lors de la manipulation du luminaire, n'appuyez pas sur les LED. Tenez-le uniquement par la base.

**ATTENTION:** Toutes les pièces doivent être utilisées comme indiqué dans ces instructions. Ce produit est conçu pour être utilisé seulement avec les pièces et/ou accessoires fournis pour être utilisés avec les produits dweLED. Remplacer des pièces ou accessoires non conçus pour ce produit dweLED pourrait causer des dommages corporels ou matériels et pourrait également causer l'annulation de la garantie. Veuillez contacter un revendeur autorisé ou le fabricant si des pièces manquent ou sont endommagées.

**NOTE D'ENTRETIEN:** Les conditions côtières peut causer une accumulation de minéraux et de résidus sur le luminaire. Nous recommandons aux clients qui résident dans les zones côtières de nettoyer toutes les surfaces externes du luminaire une fois toutes les deux semaines avec un chiffon humide.

**HARDWARE**



Wire Connector  
Qty:3pcs+1Extra



Mounting Screw  
Qty:4+2Extra  
5/32"-32x3/8



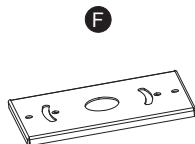
Plastic Anchor  
Qty:2pcs+1Extra



Wood Screw  
Qty: 4pcs+2Extra  
Φ 4x7/8



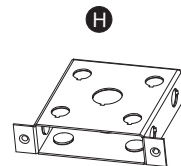
Spacer  
QTY:2pcs+1Extra



Conversion Plate  
QTY:1pc



Fix Screw  
Qty: 2pcs+1Extra  
5/32"-32x1/4



Slim Junction Box  
QTY:1pc

modernforms.com  
Phone (800) 526.2588  
Fax (800) 526.2585

Headquarters/Eastern Distribution Center  
44 Harbor Park Drive  
Port Washington, NY 11050

Central Distribution Center  
1600 Distribution Ct  
Lithia Springs, GA 30122

Western Distribution Center  
1750 Archibald Avenue  
Ontario, CA 91760



**519-LED Vanities**

WS-51920/WS-51927/WS-51937/WS-51920F/WS-51927F/WS-51937F

**PREPARATION**

1. Shut off the power at the circuit breaker and remove existing fixture, including the crossbar.
2. Carefully unpack your new fixture and lay out all the parts on a clear area. Be careful not to lose any small parts necessary for installation.

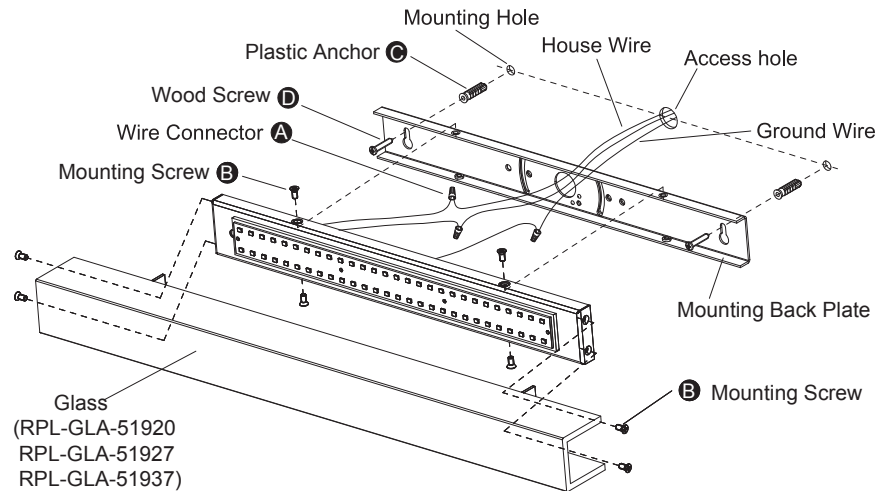
**MOUNTING WITHOUT OUTLET BOX (Fig. 1)**

3. Remove the mounting screw (B) from the fixture, remove the mounting back plate.
4. Drill two mounting holes in the wall aligned with the key-hole location in the mounting back plate, insert the plastic anchors(C).
5. Drill a small access hole in the wall behind the fixture and pull the house wires through the wall.
6. Secure the mounting back plate to the wall using the wood screw (D).

**NOTE:** The side of the mounting plate marked "GND" must face out.

7. Connect the fixture's wires to the supply wires as shown (Fig. 4). Make sure that all wire connectors (A) are secure. If your outlet box has a green or bare copper ground wire, connect the fixture's ground wire to it. Otherwise, connect the fixture's ground wire directly to the back plate using the green screw provided. After wires are connected, tuck them carefully inside the wall or in the fixture.
8. Place the fixture over the mounting back plate and secure it with mounting screw (B) .
9. Secure the glass to the fixture using the mounting screw (B) .

FIG. 1



**MOUNTING WITH SLIM JUNCTION BOX (Fig. 2)**

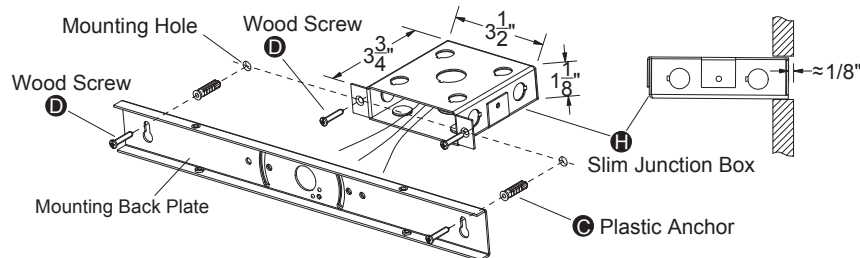
1. Replace or install new slim junction box (H). Use the two wood screws (D) provided to secure the slim junction box (H) to the wall.

**NOTE:** The slim junction box must be recessed about 1/8" into the surface of the wall.

2. Follow steps 3-9 according to "MOUNTING WITHOUT OUTLET BOX."

**NOTE:** It is not necessary to drill a small access hole in the wall.

FIG. 2



**519-LED Vanities**

WS-51920/WS-51927/WS-51937/WS-51920F/WS-51927F/WS-51937F

**MOUNTING ON SWITCH BOX (Fig. 3)**

1. Remove the mounting screw (B) from the fixture, remove the mounting back plate.
2. Secure the conversion plate (F) to the mounting back plate using the fix screw (G).
3. Drill holes in the wall aligned with the key-hole location in the mounting back plate, insert the plastic anchors (C).
4. Secure the mounting back plate and conversion plate to the switch box using the screws provided with the switch box. Fasten assembly to the wall using wood screw (D) and spacer (E).

**NOTE:** The side of the mounting plate marked "GND" must face out.

5. Connect the fixture's wires to the switch box wires as shown (Fig. 4). Make sure that all wire connectors (A) are secure. If your outlet box has a green or bare copper ground wire, connect the fixture's ground wire to it. Otherwise, connect the fixture's ground wire directly to the back plate using the green screw provided. After wires are connected, tuck them carefully inside the switch box.
6. Place the fixture over the mounting back plate and secure it with mounting screw (B).
7. Secure the glass to the fixture using the mounting screw (B).

FIG. 3

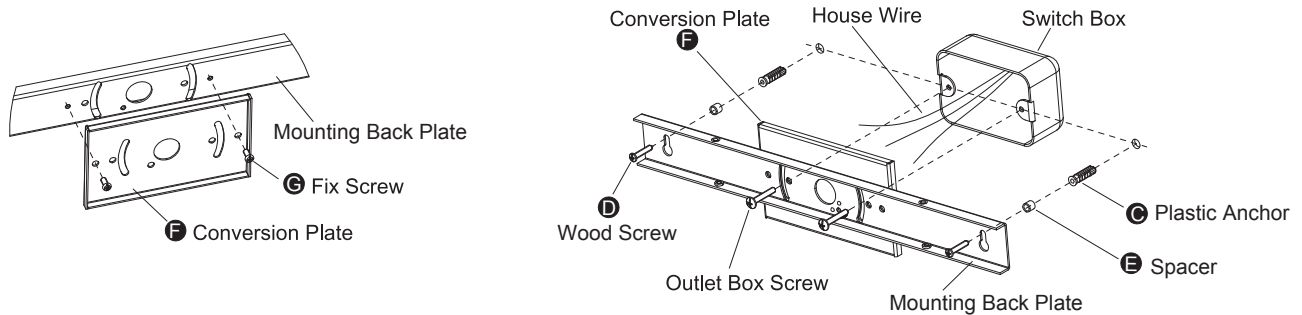


FIG. 4 Wiring



Fixture Wires	House Wires
Black or Smooth	Black (Hot)
White or Ribbed	White (Neutral)
Bare wire (Ground)	Green or Bare Copper (Ground)

Mounting Backplate Dimensions

