

ACID – model: PD-15604/PD-64608/PD-61610/PD-66612

LED Interior Pendant

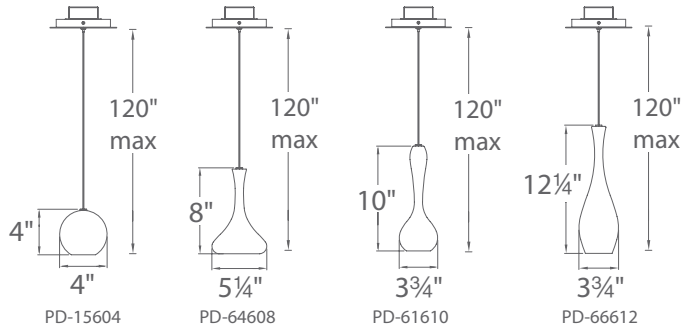


Fixture Type:

Catalog Number:

Project:

Location:




PRODUCT DESCRIPTION

Surrealistic droplets of metallic liquid artfully suspended. Powerful LED downlights concealed within these chrome-plated metal shades provide functional illumination comparable to halogen MR16s. String individually or drop them in clusters for the full mind-blowing experience.

FEATURES

- ETL & cETL damp location listed
- Driver located in outlet box
- Universal driver (120V-220V-277V)
- Full range dimming when used with compatible dimmers
- 70,000 hour potential life
- Color Temp: 3000K
- CRI: 90

ORDER NUMBER

Model	Wattage	LED Lumens	Delivered Lumens	Finish
PD-15604		640	485	PN Polished Nickel 
PD-64608	11W	690	580	
PD-61610		670	495	
PD-66612		665	490	

Example: **PD-15604-PN**

SPECIFICATIONS

Construction: Steel.

Light Source: High output LED.

Finish: Polished Nickel (PN).

Standards: ETL & cETL damp location listed.

modernforms.com
Phone (800) 526.2588
Fax (800) 526.2585

Headquarters/Eastern Distribution Center
44 Harbor Park Drive
Port Washington, NY 11050

Central Distribution Center
1600 Distribution Ct
Lithia Springs, GA 30122

Western Distribution Center
1750 Archibald Avenue
Ontario, CA 91760