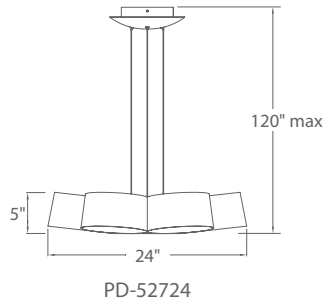
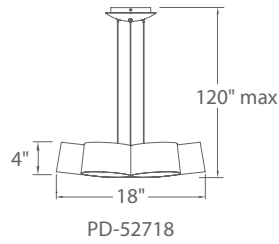


MARIMBA – model: PD-527

LED Interior Pendant & Chandelier



Fixture Type:

Catalog Number:

Project: _____

Location: _____

PRODUCT DESCRIPTION

Percussion perfection. This extraordinary cluster of seven LED luminaires, each delivering generous diffused illumination, transforms into a state-of-the-art chandelier. Custom LED modules provide high quality lumens and dimming control. Hand finished with a stunning dark bronze and gold leaf or white and silver leaf.

FEATURES

- ETL & cETL damp location listed
- Twist lock glass inside
- Full range dimming when used with compatible dimmers
- Transformer located in canopy
- Replaceable LED module
- 70,000 hour rated life
- Color Temp: 3000K
- CRI: 90

SPECIFICATIONS

Construction: Twist lock glass.

Light Source: High output LED.

Finish: Gold Leaf/Dark Bronze (GL), Silver Leaf/White (SL).

Standards: ETL & cETL damp location listed.

ORDER NUMBER

Model	Diameter	Watt	Voltage	LED Lumens	Delivered Lumens	Finish	Canopy-Interior/Exterior
PD-52718	18"	55W	120V	2885	1255	GL	Gold Leaf/Dark Bronze
PD-52724	24"	59W		3755	1395	SL	Silver Leaf/White



Example: **PD-52718-GL**

modernforms.com
Phone (800) 526.2588
Fax (800) 526.2585

Headquarters/Eastern Distribution Center
44 Harbor Park Drive
Port Washington, NY 11050

Central Distribution Center
1600 Distribution Ct
Lithia Springs, GA 30122

Western Distribution Center
1750 Archibald Avenue
Ontario, CA 91760