

# THE RING LED Interior Chandeliers

# MODERN FORMS

PD-55024 / PD-55026 / PD-55048

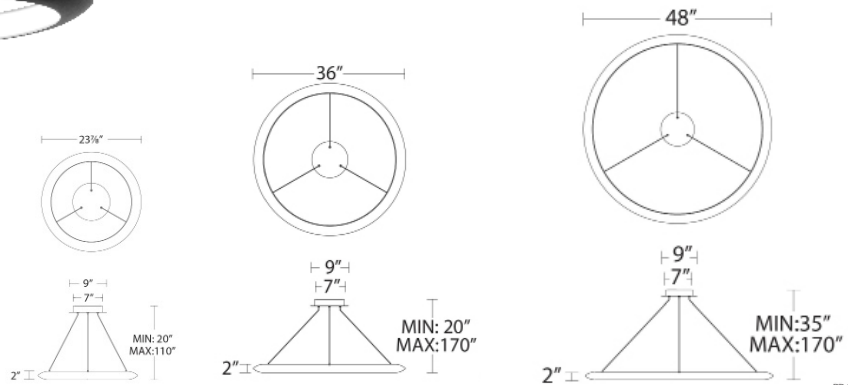


Fixture Type:

Catalog Number:

Project: \_\_\_\_\_

Location: \_\_\_\_\_



## PRODUCT DESCRIPTION

Simple yet refined. An elevated ring suspended above by its ultra-thin powered cables. Brushed aluminum or black finishes accentuate the tailored profile and seamless construction.

## FEATURES

- Quick spin-on canopy design with minimal hardware for easy installation
- Driver conceals within the canopy
- Dimming: ELV, 0-10V, TRIAC
- Rated Life: 50,000 hours
- Color Temp: 2700K, 3000K, 3500K
- CRI: 90

## ORDER NUMBER

	Wattage	Voltage	LED Lumens	Delivered Lumens	Finish
<b>PD-55024-27</b>			1881	1361	
<b>PD-55024-30</b>	22W		1891	1368	
<b>PD-55024-35</b>			1985	1436	
<b>PD-55036-27</b>			2777	2073	<b>BK</b> <i>Black</i>
<b>PD-55036-30</b>	30W	120V-277V	2791	2083	<b>AL</b> <i>Brushed Aluminum</i>
<b>PD-55036-35</b>			2931	2187	
<b>PD-55048-27</b>			3948	3110	
<b>PD-55048-30</b>	44W		3968	3126	
<b>PD-55048-35</b>			4167	3282	

Example: **PD-55024-BK**

modernforms.com  
Phone (800) 526.2588  
Fax (800) 526.2585

Headquarters/Eastern Distribution Center  
44 Harbor Park Drive  
Port Washington, NY 11050

Central Distribution Center  
1600 Distribution Ct  
Lithia Springs, GA 30122

Western Distribution Center  
1750 Archibald Avenue  
Ontario, CA 91760