



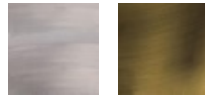
Project:

Location:

Fixture Type:

Catalog Number:

AVAILABLE FINISHES:



Ophelia

WS-72210

PRODUCT DESCRIPTION

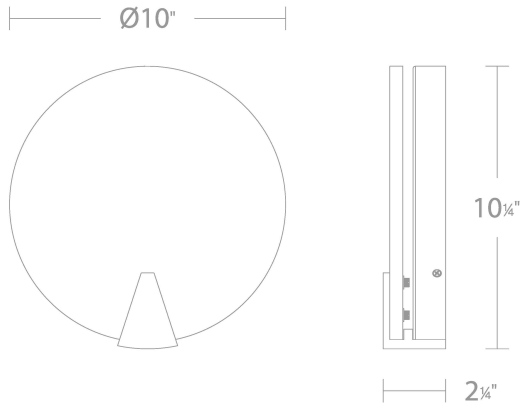
Add luxurious character with this curvaceous scone. Enjoy rich tones and natural veining textures of authentic Spanish alabaster. The clean spun aluminum profile reflects a minimalist architectural in aged brass or antique nickel.

FEATURES

- ACLED driverless technology
- Ambient illumination
- First class quality Spanish alabaster
- Natural alabaster with unique veining in each crafted piece

SPECIFICATIONS

Rated Life	54000 Hours
Standards	ETL, cETL,Damp Location Listed, Title 24 JA8: 2019 Compliant
Input	120 VAC, 50/60Hz
Dimming	ELV: 100-5%, TRIAC: 100-5%
Mounting	Can be mounted on wall in all orientations
Color Temp	3000K
CRI	90
Construction	Aluminum spun frame with alabaster shade and glass diffuser



WS-72210

Model & Size	Color Temp	Finish	LED Watts	LED Lumens	Delivered Lumens
WS-72210 10"	3000K	AB Aged Brass AN Antique Nickel	26.8W	2677	881

Example: **WS-72210-AN**

For custom requests please contact customs@modernforms.com