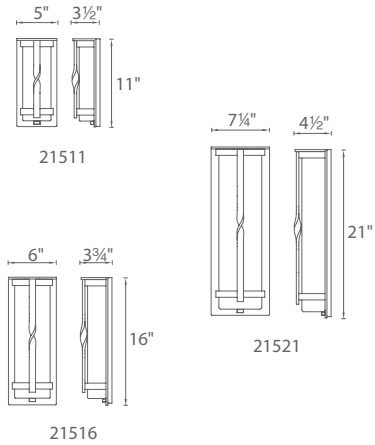
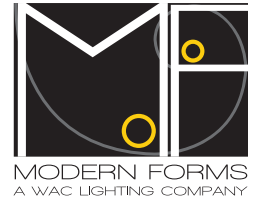


# BERKLEY – model: WS-W21511/W21516/W21521

## LED Outdoor



Fixture Type:

Catalog Number:

Project: \_\_\_\_\_

Location: \_\_\_\_\_

### PRODUCT DESCRIPTION

Arts and crafts styling with a refreshing twist. The enduring look of forged iron over mouth blown etched opal glass. A handsome addition to any setting.

### FEATURES

- ADA compliant for WS-W21511, WS-W21516, low profile design
- Wet location listed, IP65 rated
- CEC Title 24 compliant for WS-W21511
- Weather resistant powder coated finish
- Solid aluminum construction
- Dimming with electronic low voltage (ELV) dimmer
- No transformer or driver required
- 80,000 hour rated life
- Color Temp: 3000K
- CRI: 90

### SPECIFICATIONS

**Construction:** Aluminum with etched opal glass

**Light Source:** High output LED.

**Dimming:** Dims to 10% with an electronic low voltage (ELV) dimmer.

**Mounting:** Mounts directly to junction box.

**Finish:** Bronze (BZ).

**Standards:** ETL & cETL listed. ADA compliant.

### ORDER NUMBER

Model	Length	Wattage	Voltage	LED Lumens	Delivered Lumens	Finish
<b>WS-W21511</b>	11"	15.5W	120V	674	370	<b>BZ</b> Bronze
<b>WS-W21516</b>	16"	19.5W	120V	1062	555	
<b>WS-W21521</b>	21"	26.0W	120V	1443	985	

Example: **WS-W21516-BZ**

### REPLACEMENT GLASS

Model	Fixture
<b>RPL-GLA-21511</b>	WS-W21511
<b>RPL-GLA-21516</b>	WS-W21516
<b>RPL-GLA-21521</b>	WS-W21521

modernforms.com  
Phone (800) 526.2588  
Fax (800) 526.2585

Headquarters/Eastern Distribution Center  
44 Harbor Park Drive  
Port Washington, NY 11050

Central Distribution Center  
1600 Distribution Ct  
Lithia Springs, GA 30122

Western Distribution Center  
1750 Archibald Avenue  
Ontario, CA 91760