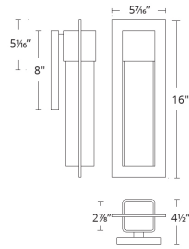


MIST Wall Sconce - Outdoor

MODERN FORMS

WS-W54016 / WS-W54020 / WS-W54025

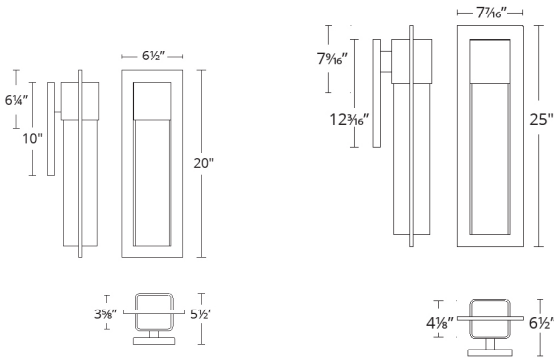


Fixture Type:

Catalog Number:

Project: _____

Location: _____



PRODUCT DESCRIPTION

A contemporary outdoor sconce inspired by the handmade colonial era glass window panes. The seeded and hammered glass is captivatingly framed in black or bronze.

FEATURES

- Seeded, hammered blown glass is removable for easy, toolless cleaning
- ACLED driverless technology
- Dimming: ELV
- Rated Life: 54,000 hours
- Color temp: 3000K
- CRI: 90

SPECIFICATIONS

Construction: Aluminum body with hammered seeded glass

Light Source: High output LED

Finish: Black (BK), Bronze (BZ)

Standards: ETL & cETL, Wet Location listed, Title 24 Compliant

REPLACEMENT GLASS

Part#	Fixture
RPL-GLA-54016	WS-W54016
RPL-GLA-54020	WS-W54020
RPL-GLA-54025	WS-W54025

ORDER NUMBER

Model	Height	Wattage	Voltage	LED Lumens	Delivered Lumens	Finish
WS-W54016	16"	4W		300	102	BZ Bronze BK Black
WS-W54020	20"	8W	120V	600	211	
WS-W54025	25"	11W		800	285	

Example: **WS-W54016-BK**

modernforms.com
Phone (800) 526.2588
Fax (800) 526.2585

Headquarters/Eastern Distribution Center
44 Harbor Park Drive
Port Washington, NY 11050

Central Distribution Center
1600 Distribution Ct
Lithia Springs, GA 30122

Western Distribution Center
1750 Archibald Avenue
Ontario, CA 91760